

Thermostat for home brewery



Device is designated for beer brewing and control of beer temperature.

- possibility to set 1 to 8 cycles of brewing.***
- setting of cycles time 1 to 200 minutes***
- setting of cycles temperature 5 to 110°C***
- alarm at loss or temperature sensor failure.***
- alarm at failure (damage) of output fuse.***
- independent cycle - brewing***

Contains:

1 x sensor DS 18B20 on cable 2m. 
3 x output 230VAC, connection by terminal box up to 1mm²

Outputs:

Voltage 230VAC !!!
Fuse 6,3A, common for all outputs!!
Maximum current demand 6A
Outputs are designated for connection of 2nd class equipment

Dimensions: 45 x 100 x 130mm

Neither cover nor built-in device!

Device of 2nd class! (even connected devices)

- Only authorized personnel (knowledge of el. regulation) is allowed to connect device!!

- in case of problems during installation, contact service by call.

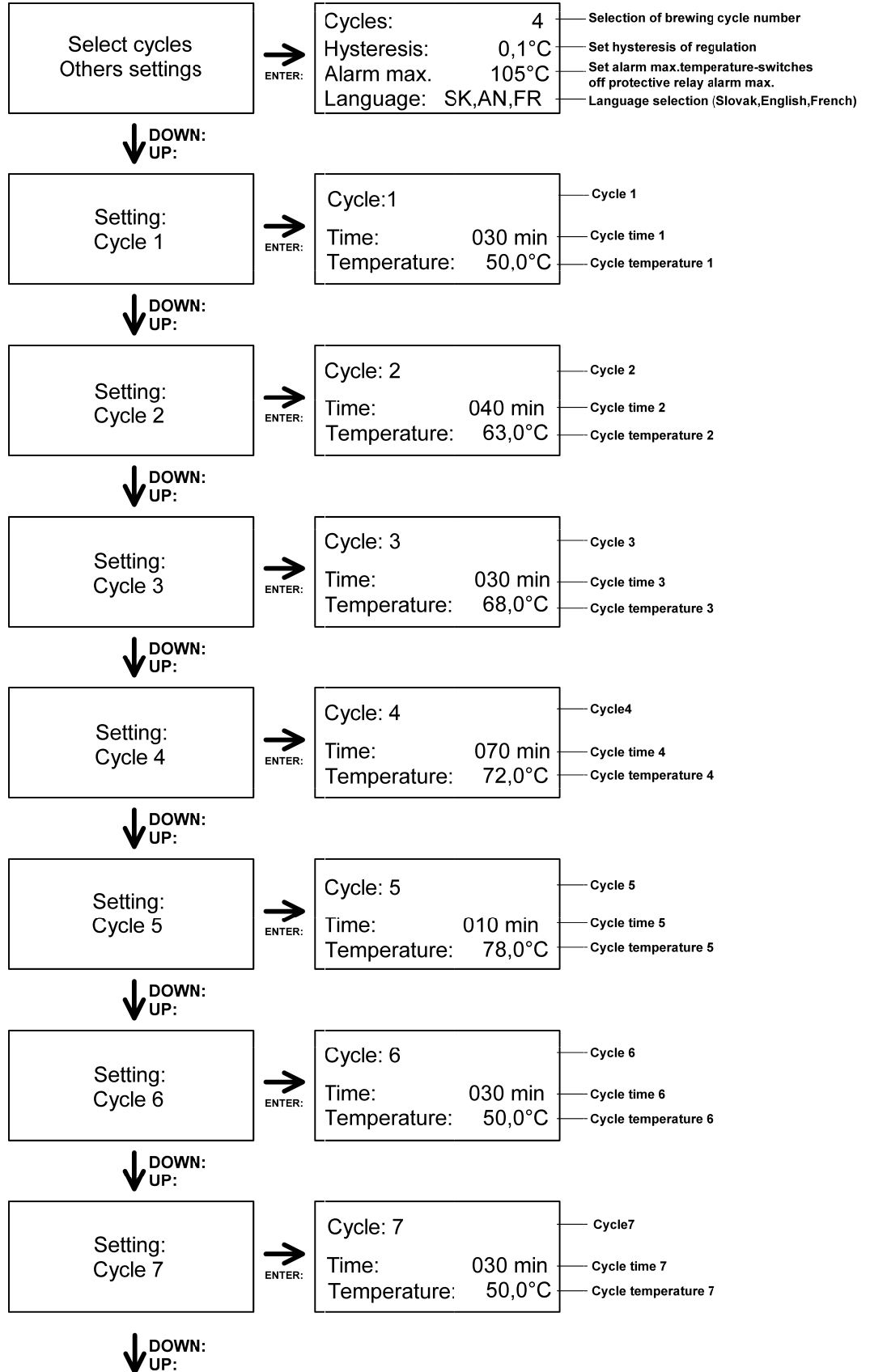
+421 904339612

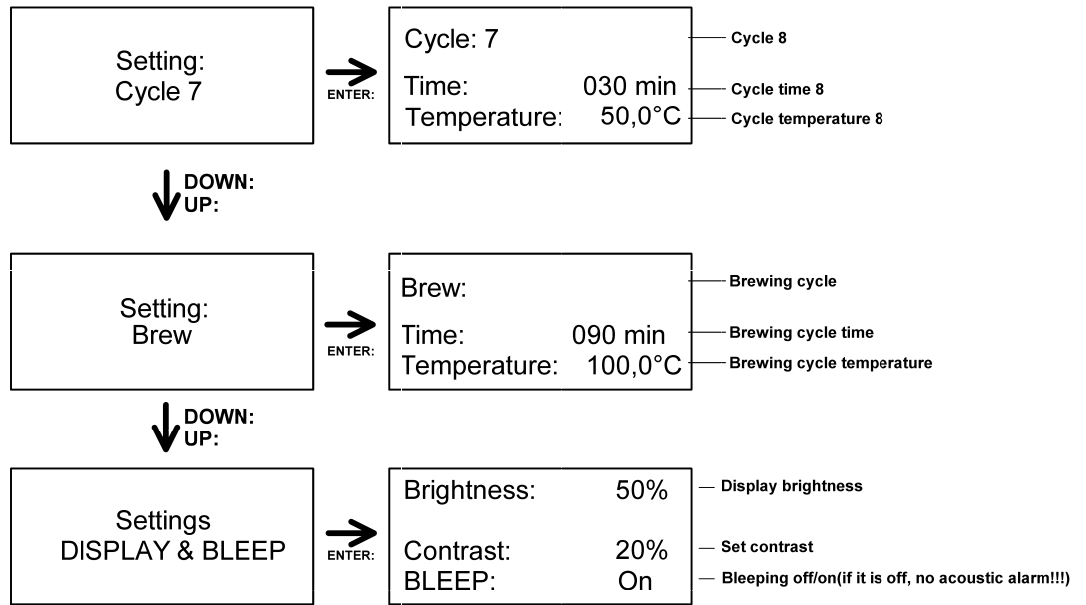
www.morel.snadno.eu

Possibilities of settings in MENU:

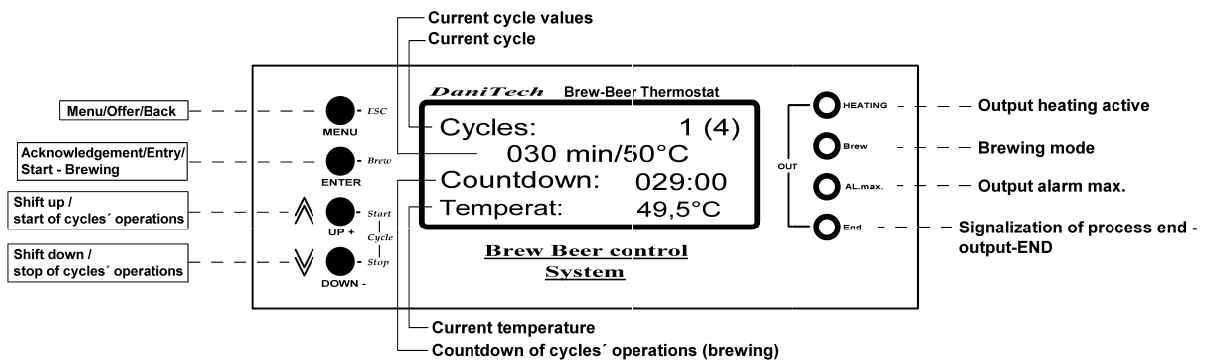
MENU:	Menu of Settings (return back)
ENTER:	Acknowledgement (entry)
DOWN:	Shift down
UP:	Shift up

MENU:

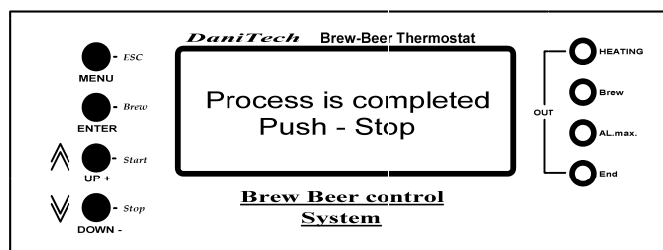




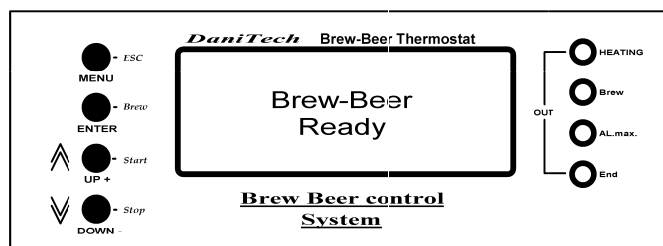
Abstract of cycles' operations:



Abstract after cycles' process completion

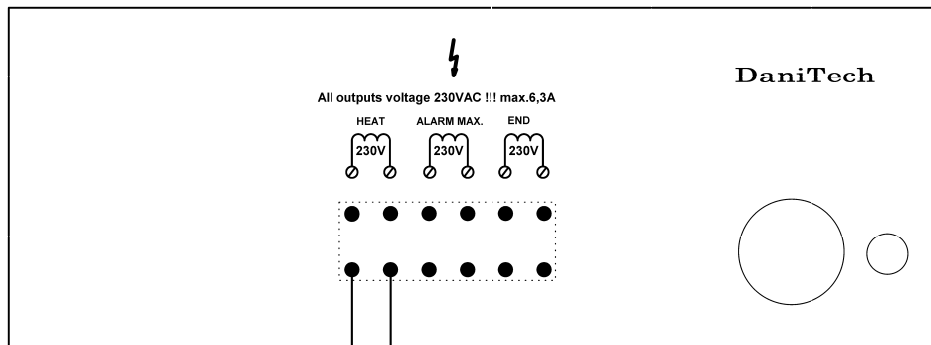


Abstract after device connection

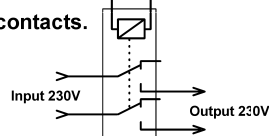


Recommendation-connections possibilities:

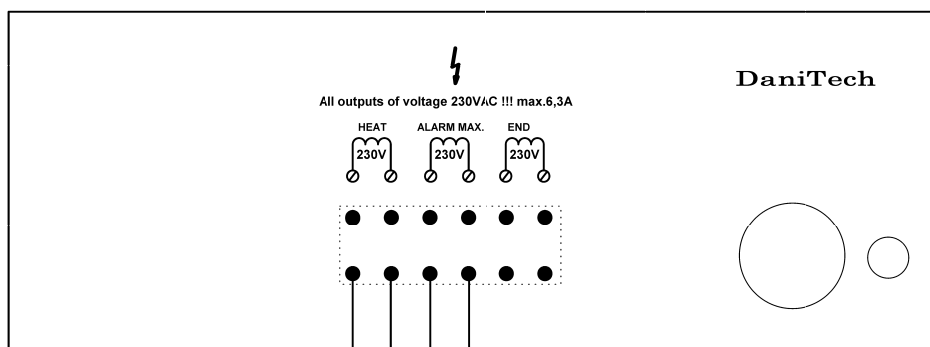
Connection with external additional relay for power above 1000 WATT.



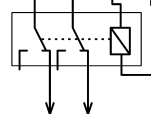
Relay (contactor) 230V with two switching contacts.



Connection with external relay for function ALARM.MAX, it is not a condition



Relay 230V with two switching contacts.



Output for heating body 230V